

Radar Level Meter RM-902



Features

- Pulse work launch frequency of low impact on people and the environment
- Up to 30 meters measuring range
- Beam angle is small energy concentration
- $\pm 0.5\%$ minimum measurement error
- High-quality waterproof connector

Technical Data

Measuring Range : 0...5/10/15/20/25/30 m

Accuracy : $\pm 0.5\%$

resolution : 1 mm

Emission angle : 18°

Process Temperature : -40...130 °C

Process Pressure : -0.1...4.0 MPa

Storage Temperature : -40...100 °C

Process Connection : Flange DN50

Body Material : 304 Stainless Steel

Seismic : Mechanical vibration 10 m/s², (10...150) Hz

Protection Grade : IP67

Frequency Range : 26 GHz

Supply : 12-36 Vdc

Signal Output : 4... 20 mA

Communication Protocol : HART

Ordering Code

RM -902 -

5 : Level range 0...5 m

10 : Level range 0...10 m

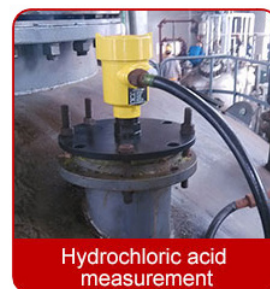
15 : Level range 0...15 m

20 : Level range 0...20 m

25 : Level range 0...25 m

30 : Level range 0...30 m

APPLICATION



www.omi.co.th

บริษัท โอเมก้า เมชเชอริง อินสตรูमेंท์ จำกัด

Tel : 02-105-4676

Fax : 02-903-0080 ext. 6867

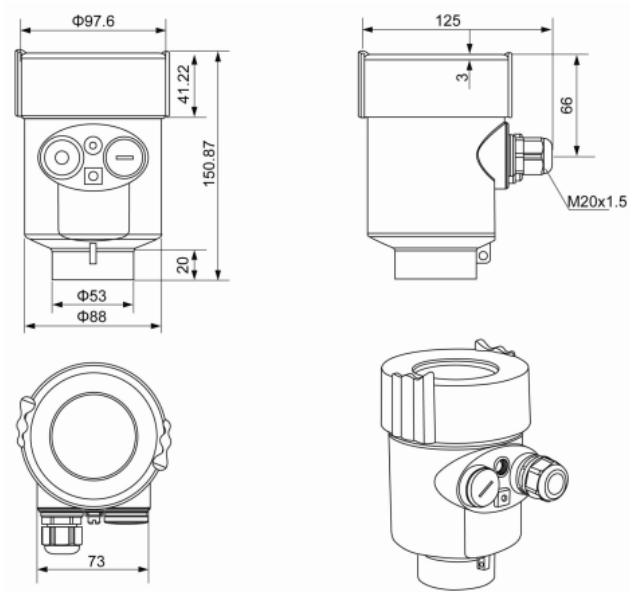
Email : info@omi.co.th

Line : @omith

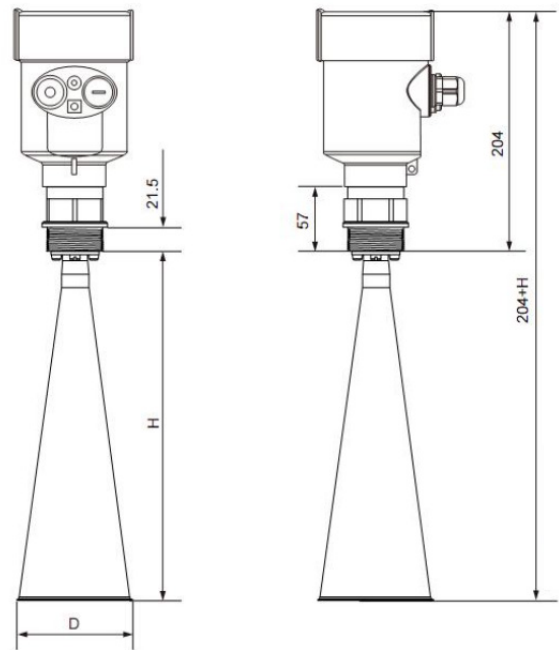
Radar Level Meter RM-902

Structure size

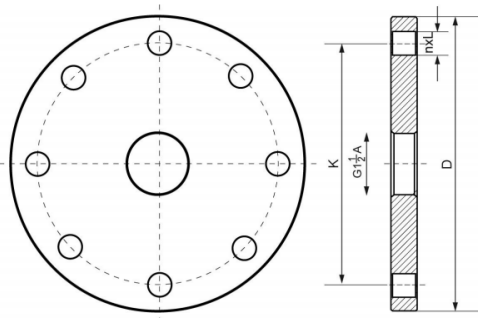
The outer shell



Appearance size



Flange connection



Flange	The Ball Diameter (D)	Bell Hight H
DN 50	Φ46	140

Flange Selection Tables				
Specification	Outer diameter (D)	Hole center distance (K)	Number of Hole (n)	Hole diameter (L)
DN50	Φ165	Φ125	4	18

www.omi.co.th

บริษัท โอเมก้า เมชเชอริง อินสตรูเมนต์ จำกัด
 Tel : 02-105-4676
 Fax : 02-903-0080 ext. 6867
 Email : info@omi.co.th
 Line : @omith